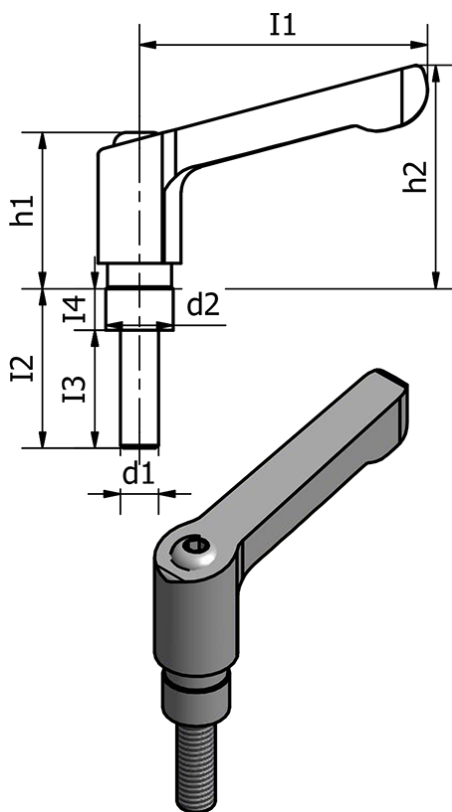


Article number: 20511M620
Description: E+G Clamping kit
GN 511-M6-20

Measures



d1 = 6

d2 = 10.5

h1 = 24.5

h2 = 35

I1 = 45

I2 = 20

I3 = 13.5

I4 = 6.5

Weight (g) = 40